



Shanghai Accutech Precision Machine Manufacturing Co., Ltd. is focused on the commercial laundry equipment domain. It seamlessly integrates R & D, precision manufacturing, and thorough inspection processes. The brand connotation of Accutech is “Precision Technology,” precisely aligns with the application traits of the self - service laundry industry. By zeroing in on high - efficiency energy - conservation and performance as the product differentiators, the company is dedicated to empowering laundromat owners. This effort is aimed at comprehensively boosting their market competitiveness and maximizing commercial value.

In its initial product line, the company offers a suite of commercial washing and drying equipment combinations. This lineup consists of the COMBO Washer & Dryer, capable of completing both washing and drying cycles with a single activation. There's also the innovative Sneakers stacked Wash & Dry Machine, designed specifically to meet the demand for rapid sneaker washing and drying. Additionally, there are the stacked Wash & Dry Machine, the hard-mounted Washer, and the Double - Layer Dryer. The combination of Accutech innovative models and classic models of machines serves to expand the service portfolio of self - service laundries. It elevates the overall consumer experience in laundromats, thereby enabling investors to reap more substantial returns on their investments.

The management team of the company is an assemblage of management talent from large - scale foreign - invested manufacturing enterprises, seasoned experts in the laundry equipment sector, and professionals well - versed in the nuances of commercial laundry operations. Leveraging the high - caliber craftsmanship within China's electromechanical manufacturing industry, a profound industry acumen, and an unwavering dedication to excellence and meticulousness, they are vigorously driving forward the technological innovation and quality elevation of commercial laundry equipment.

The factory is strategically positioned in the heart of the Yangtze River Delta Integration Demonstration Zone, within Shanghai's Qingpu Industrial Park. Its proximity to Shanghai Hongqiao International Airport and Hongqiao Railway Station provides access to abundant high - end electromechanical manufacturing industry resources and a deep talent pool. These robust technical and collaborative assets lay a rock - solid foundation for Accutech brand equipment to showcase the genuine caliber of “Made in China.”

PRECISION TECHNOLOGY



📍 Room 101, Building 4, No. 358, Xin Dan Road, Qingpu District, Shanghai City, China

🌐 www.acclaundry.com

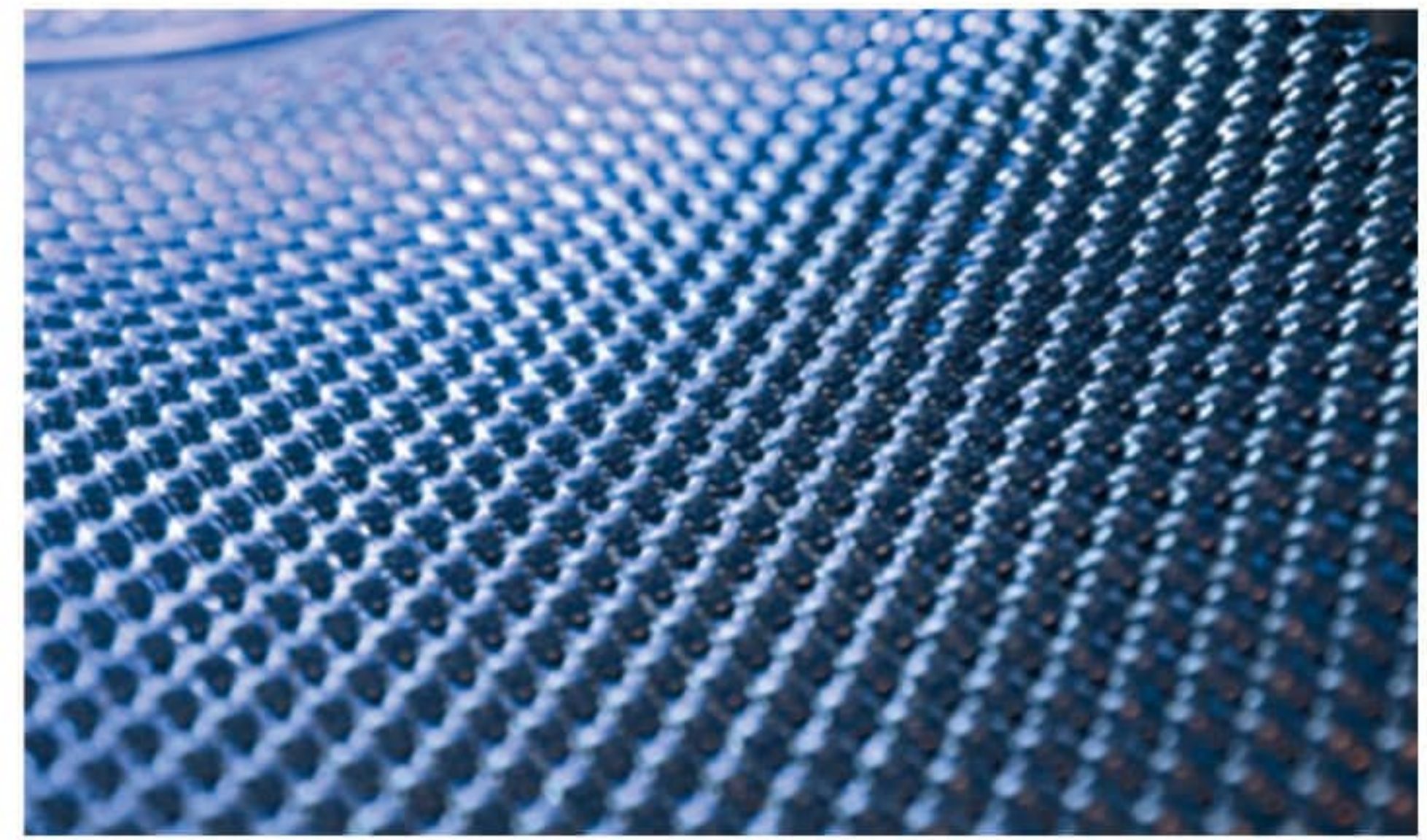
☎ +86 18921280045 , +86 13901645592

✉ boboyu@acclaundry.com mccai@acclaundry.com

HIGH STANDARDS

The mechanical components of Accutech commercial equipment are designed to high standards and processed with high precision. Assembly is carried out by skilled personnel. Key components of the equipment use premium - brand components from the machinery and electrical industries (such as NSK, Schneider, Honeywell, Delta, SOG), ensuring stable and reliable equipment operation.

The company adopts a full - process system ERP management approach, conducting comprehensive inspections on components, semi - finished products, and finished products. An open - access component query and traceability system makes after - sales service more convenient and efficient.



HIGH PRECISION

The equipment features intelligent IoT capabilities and has an online payment interface reserved. The intelligent IoT function enables remote statistics and maintenance, reducing on - site manual service costs and enhancing service efficiency.

All design and manufacturing details of Accutech equipment are aimed at facilitating the stable operation and continuous profitability of self - service laundries.



HIGH QUALITY



Quality System Certification

- **GB/T19001-2016 idt ISO9001:2015**

Standardized manufacturing processes ensuring consistent industrial-grade quality for every machine.

- **CE Certification**

Fully compliant with essential safety and health standards for international market access.

Accutech

01 Washer&Dryer Combo

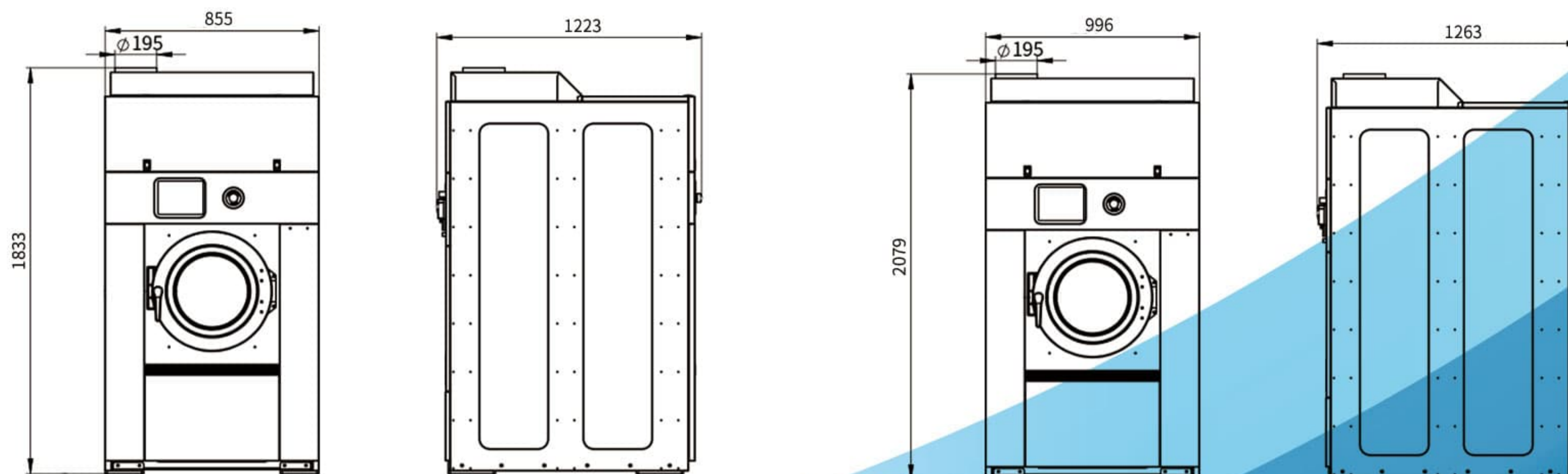
- The soft-mounted washer is integrated with a high-efficiency dryer, enabling both washing and drying to be completed in one machine.
- There is no need to manually take out the clothes after washing and put them into the dryer, so customers don't have to wait in the store.
- It provides convenience for customers using self-service laundries and increases the attractiveness of self-service laundries to customers.
- It can be charged at a higher price, increasing the investment return of self-service laundry owners.
- It is available in two specifications, 27 kg and 17 kg, to meet the washing and drying needs for different amounts of clothes.
- There are various programs to choose from: washing + drying, washing only, and drying only.



Combo Washer & Dryer technical specification

6-R1

MODEL	CWD170		CWD270	
	Washer	Dryer	Washer	Dryer
Rated Capacity (kg)	17 (10: 1)	8.5 (20: 1)	27 (10: 1)	13.5 (20: 1)
Rated Capacity (kg)	19 (9: 1)	10 (18: 1)	30 (9: 1)	15 (18: 1)
Drum Volume (L)	170		270	
Drum Diameter (mm)	650		800	
Door Opening (mm)	410		410	
Drum Material	304 Stainless Steel		304 Stainless Steel	
Motor Power (kW)	2.2	0.55	4.0	0.55
Washing Speed (rpm)	50	/	50	/
Extraction Speed (rpm)	850	/	850	/
G-Force	300	/	350	/
Control System	7" Smart Touch	7" Smart Touch	7" Smart Touch	7" Smart Touch
Connectivity	4G+WiFi	4G+WiFi	4G+WiFi	4G+WiFi
Payment Methods	Coin/Card/Online	Coin/Card/Online	Coin/Card/Online	Coin/Card/Online
Front & Top Panels	304 Stainless Steel / Painted		304 Stainless Steel / Painted	
Side Panels	201 Stainless Steel	201 Stainless Steel	201 Stainless Steel	201 Stainless Steel
Electric Heating (kW)	/	14/21	/	14/21
Hot Water Supply (°C)	Max. 90°C	/	Max. 90°C	/
Noise Level (dB)	56	59	56	59
Water Pressure (bar)	1.4-5.7	/	1.4-5.7	/
Water Inlet (in) (Cold/Hot/Soft)	3/4"×3	/	3/4"×3	/
Drain Outlet (mm)	75	/	75	/
Gas Inlet (in)	/	1/2"NPT	/	1/2" NPT
Exhaust Duct (mm)	/	160	/	160
Net Weight (kg)	530		820	
Dimensions (mm) (W×D×H)	855×1223×1833		996×1263×2079	
Gross Weight (kg)	550		845	
Packaging Dimensions (mm)	915×1283×1945		1073×1346×2200	
Transport Volume (m ³)	2.28		3.18	



Accutech

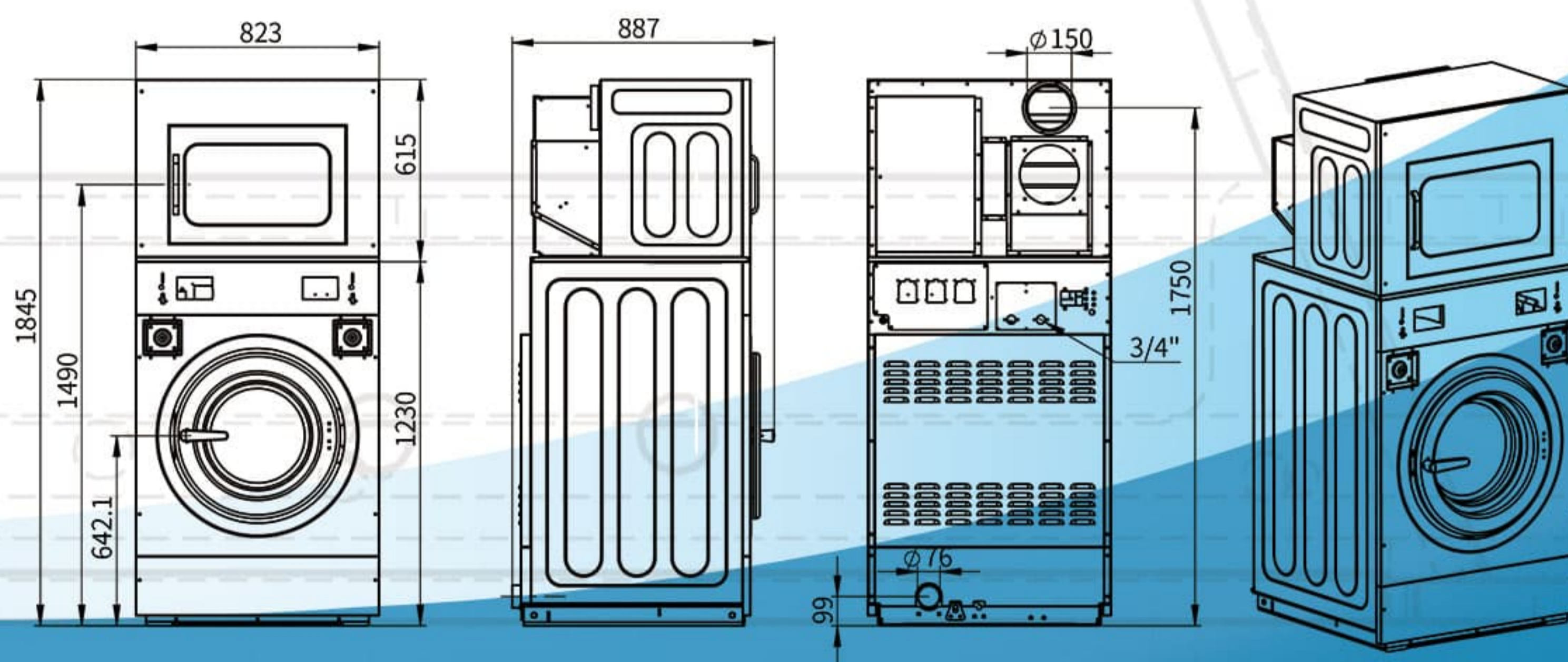
02 Sneakers Stacked Washer & Dryer

- Innovative self - service sneakers washing and drying equipment, which facilitates laundromat offers sneakers washing and drying services.
- The washing machine is a 14kg (30 pounds) industrial - grade machine, known for its robustness and durability.
- The drum of the sneaker - washing machine has a honeycomb - style small - mesh design. This reduces the likelihood of shoe - laces getting stuck in the mesh and getting damaged, ensuring safer sneaker washing.
- The washing machine is equipped with professional washing and spinning parameters for sneakers, enabling thorough cleaning and minimal water content rate left.
- The sneaker - drying machine comes with a shoe - hanging rack and features a high - air - volume blowing design.
- It adopts advanced electric heating technology, which is energy - efficient. It can reach a drying level of 85 - 90% within 30 minutes.
- The drying temperature is adjustable, preventing the excessive drying temperatures that might cause the glue on sports shoes to detach.
- The sneaker - drying machine uses ozone disinfection technology, effectively killing bacteria and removing odors.
- The equipment is controlled by a touch - screen computer, providing easy - to - use and intuitive operation.



Sneakers Stacked Washer & Dryer technical specification

MODLE	HWS140	
	Sneakers Washer	Sneakers Dryer
Capacity (Pairs)	4 Pairs or more	4 Pairs
Drum Material	304 Stainless Steel	304 Stainless Steel
Motor Power (kW)	2.2	Exhaust 0.065
Heating Power (kW)		3.0
Washing Speed (rpm)	45	/
Extraction Speed (rpm)	600	/
Control System	5" Smart Touch	5" Smart Touch
Connectivity	4G+WiFi	4G+WiFi
Sanitization & Deodorization	Ozone + UVC Light	Ozone + UVC Light
Payment Methods	Coin/Card/Online	Coin/Card/Online
Front & Top Panels	304 Stainless Steel / Painted	304 Stainless Steel / Painted
Side Panels	201 Stainless Steel	201 Stainless Steel
Hot Water Supply (°C)	Max. 50°C	/
Noise Level (dB)	56	59
Water Pressure (bar)	1.4-5.7	/
Water Inlet (in) (Cold/Hot/Soft)	3/4"×3	/
Drain Outlet (mm)	75	/
Exhaust Duct (mm)	/	150
Net Weight (kg)	392	
Dimensions (W×D×H) (mm)	823×887×1845	
Gross Weight (kg)	410	
Packaging Dimensions (mm)	874×930×1957	
Transport Volume (m ³)	1.59	



Accutech

45°

03 Washer

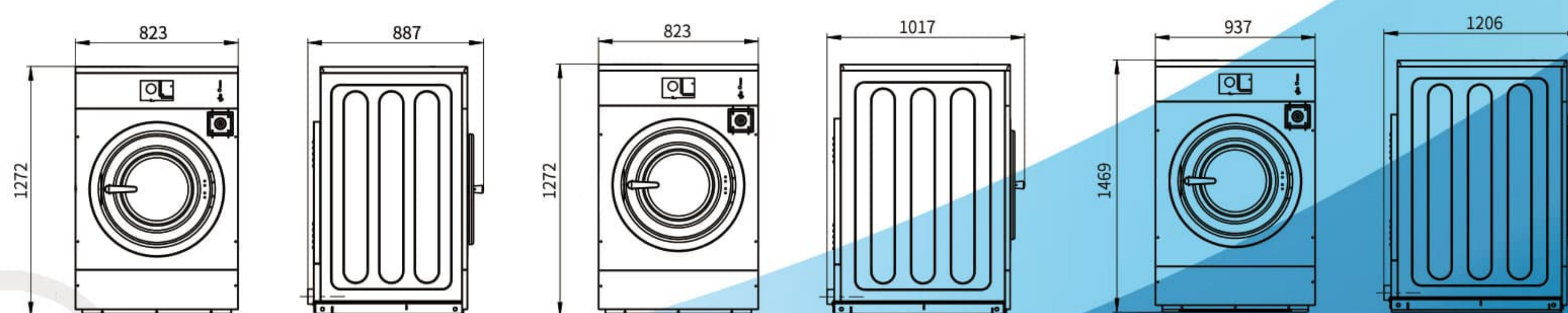
Hard-mounted

- Both the inner and outer drums of the washing machine are made of high - quality, thickened 304 stainless- steel, ensuring durability.
- The equipment is equipped with shafts with high precision and high - strength bearing housing , enabling it to easily handle high - torque operation over long periods.
- With a higher spinning speed (200G value), it reduces drying energy consumption.
- Features a 7 - inch touch screen with a user - friendly interface, supporting multiple charging modes.
- Compared with washing machines of the same capacity from competitors, it has a larger - diameter drum, achieving better cleaning results.
- The scientifically programmed parameters improve the washing efficiency for self - service laundries.
- Comes with eight preset washing programs to meet various washing needs, from delicate fabrics to heavily soiled clothes.
- Has five reserved feeding interfaces for automatic detergent injection.



Hard-mounted Washer technical specification

MODLE	HW140	HW180	HW270
Rated Capacity (kg)	13.5 (10:1)	18.2 (10:1)	27 (10:1)
Rated Capacity (kg)	15 (9:1)	20.2 (9:1)	30 (9:1)
Drum Volume (L)	135	182.0	271
Drum Diameter (mm)	680	680	800
Door Opening Diameter (mm)	410	410	410
Drum Material	304 Stainless Steel	304 Stainless Steel	304 Stainless Steel
Motor Power (kW)	2.2	2.2	4
Washing Speed (rpm)	30/45	30/45	30/45
Extraction Speed (rpm)	720	720	600
G-Force	200	200	161
Control System	7" Smart Touch	7" Smart Touch	7" Smart Touch
Connectivity	4G+WiFi	4G+WiFi	4G+WiFi
Payment Methods	Coin/Card/Online	Coin/Card/Online	Coin/Card/Online
Front & Top Panels	304 Stainless Steel/Painted	304 Stainless Steel/Painted	304 Stainless Steel/Painted
Side Panels	201 Stainless Steel	201 Stainless Steel	201 Stainless Steel
Electric Heating (kW) (Optional)	12.0	12.0	18.0
Hot Water Supply (°C)	Max. 90°C	Max. 90°C	Max. 90°C
Noise Level (dB)	56	56	58
Water Pressure (bar)	1.4-5.7	1.4-5.7	1.4-5.7
Water Inlet Diameter (in)(Cold/Hot/Soft)	3/4"×3	3/4"×3	3/4"×3
Drain Outlet (mm)	75	75	75
Net Weight (kg)	304	358	495
Dimensions (W×D×H) (mm)	823*887*1272	823*1017*1272	937*1206*1469
Gross Weight (kg)	324	378	515
Packaging Dimensions (mm)	900*970*1428	900*1100*1428	1014*1289*1625
Transport Volume (m ³)	1.25	1.41	2.13



Accutech

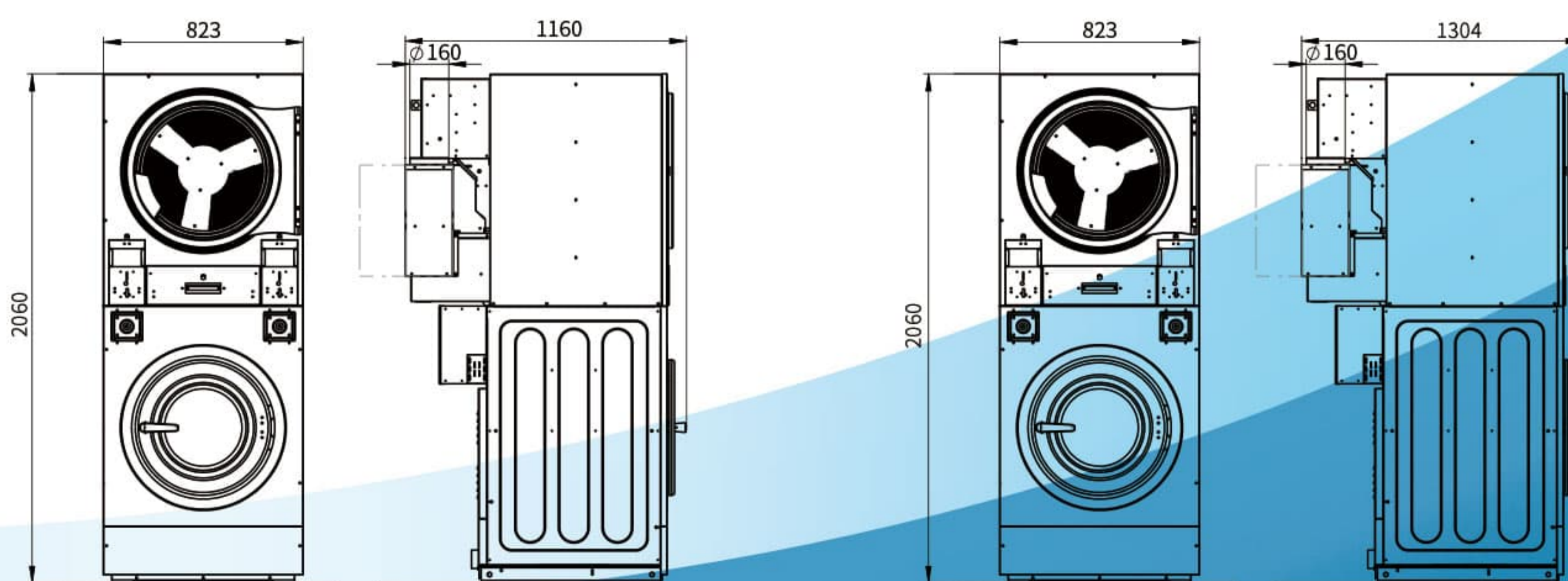
04 Stacked Washer & Dryer

- Stacked hard-mounted industrial grade washing machines and high - efficiency dryers.
- With a compact structure, it occupies a small floor area, making it convenient for stores to arrange more equipment.
- Available in two capacities, 14 kg and 18 kg, to meet the washing and drying demands for different clothing volumes.
- The dryer offers options of gas heating and electric heating.



Stacked Washer & Dryer technical specification

MODEL	HWD140		HWD180	
	Washer	Dryer	Washer	Dryer
Rated Capacity (kg)	13.5 (10:1)	15 (20:1)	18.2 (10:1)	18.3 (20:1)
Rated Capacity (kg)	15 (9:1)	18 (16:1)	20.5 (9:1)	23 (16:1)
Drum Volume (L)	135	300	182	366
Drum Diameter (mm)	680	762	680	762
Door Opening (mm)	410	602	410	602
Drum Material	304 Stainless Steel	304 Stainless Steel	304 Stainless Steel	304 Stainless Steel
Motor Power (kW)	2.2	0.37/0.37	2.2	0.37/0.37
Washing Speed (rpm)	30/45	/	30/45	/
Extraction Speed (rpm)	720	/	720	/
G-Force	200	/	200	/
Control System	5" Smart Touch	5" Smart Touch	5" Smart Touch	5" Smart Touch
Connectivity	4G+WiFi	4G+WiFi	4G+WiFi	4G+WiFi
Payment Methods	Coin / Card / Online	Coin / Card / Online	Coin / Card / Online	Coin / Card / Online
Front & Top Panels	304 SS / Painted	304 SS / Painted	304 SS / Painted	304 SS / Painted
Side Panels	201 Stainless Steel	201 Stainless Steel	201 Stainless Steel	201 Stainless Steel
Electric Heating (kW) (Optional)	12	14/21 (Optional)	12	14/21 (Optional)
Hot Water Supply (°C)	Max. 90°C	/	Max. 90°C	/
Noise Level (dB)	56	59	56	59
Water Pressure (bar)	1.4-5.7	/	1.4-5.7	/
Water Inlet (in) (Cold/Hot/Soft)	3/4"×3	/	3/4"×3	/
Drain Outlet (mm)	75	/	75	/
Gas Inlet (in)	/	1/2" NPT	/	1/2" NPT
Exhaust Duct (mm)	/	160	/	160
Net Weight (kg)	417		472	
Dimensions (W×D×H)	823×1160×2060		823×1304×2060	
Gross Weight (kg)	437		496	
Packaging Dimensions (mm)	900×1243×2200		900×1387×2200	
Transport Volume (m ³)	2.46		2.75	



Accutech

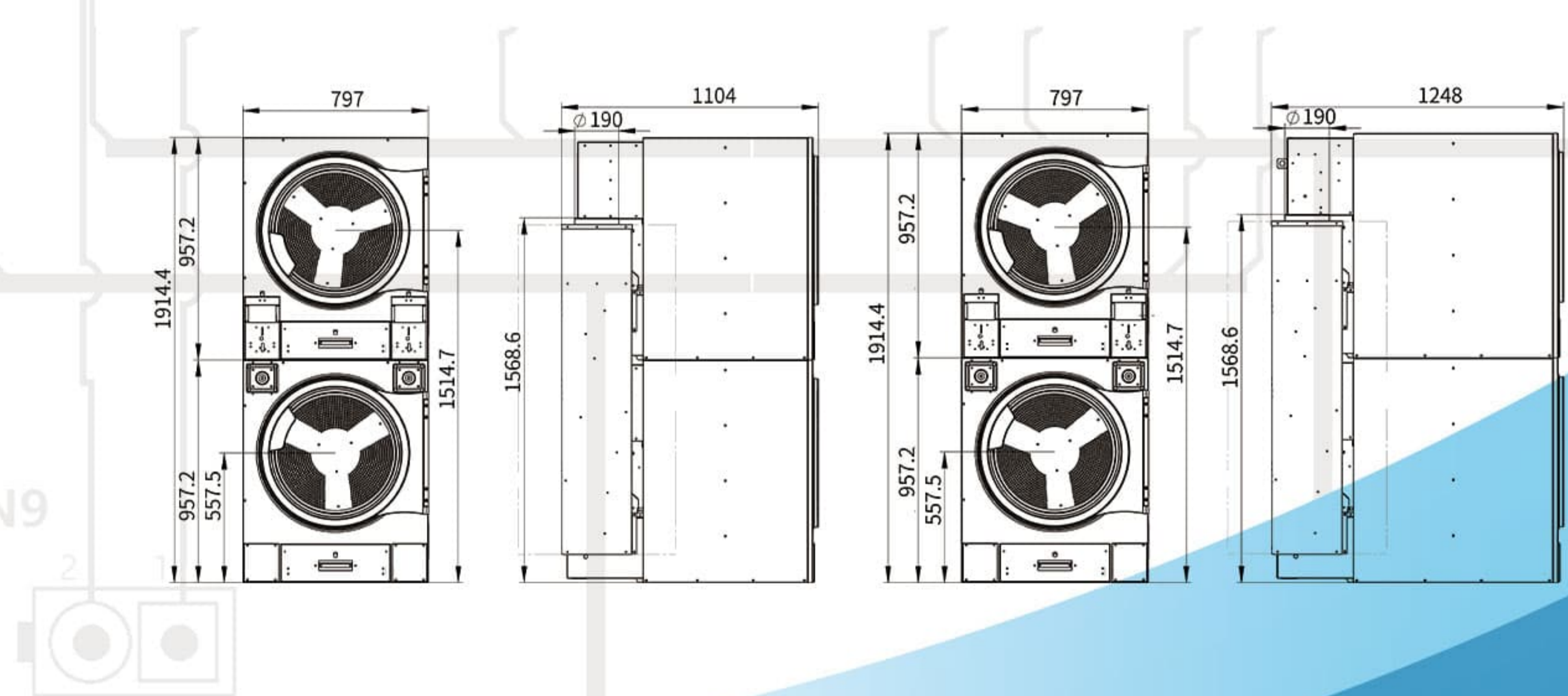
05 High-efficiency Dryer

- The dryer features a thickened high - quality 304 stainless - steel drum, ensuring durability.
- The drum rotates in both forward and reverse directions, reducing clothes tangling. This also enables even heat distribution and speeds up the drying process.
- With an inclined long - air - duct design, hot air comes into full contact with wet clothes, leading to higher drying efficiency.
- The drying temperature is precisely controlled, and there are multiple overheat safety protections at the air inlet and outlet.
- The gas - heated dryer is equipped with control valves and ignition modules from world - class brands.
- The gas - heating module and the electric - heating module are of the same size, facilitating the replacement between gas and electric heating modules.



Stacked Dryer technical specification

MODEL	TDD140	TDD180
Rated Capacity (kg)	2×14 (20:1)	2×18 (20:1)
Rated Capacity (kg)	2×18	2×24
Drum Diameter (mm)	762	762
Door Opening Diameter (mm)	602	602
Drum Material	304 Stainless Steel	304 Stainless Steel
Motor Power (kW) (Drive/Exhaust)	2× 0.37/0.37	2×0.37/0.37
Control System	2×5" Smat Touch	2×5" Smat Touch
Connectivity	4G+WiFi	4G+WiFi
Payment Methods	Coin / Card / Online	Coin / Card / Online
Front & Top Panels	304 Stainless Steel/Painted	304 Stainless Steel/Painted
Side Panels	201 Stainless Steel	201 Stainless Steel
Electric Heating (kW)	2×14/21	2×14/21
Noise Level (dB)	59	62
Gas Inlet (in)	1/2" NPT	1/2" NPT
Exhaust Duct (mm)	190	190
Net Weight (kg)	330	343
Dimensions (W×D×H) (mm)	797×1104×1915	797×1248×1915
Gross Weight (kg)	350	370
Packaging Dimensions (mm)	850×1150×2027	850×1298×2027
Transport Volume (m ³)	1.98	2.24



Accutech

Ø 498

90 High-Speed Softmount Washer with Wet Cleaning Capability

- Diamond-perforated drum design enhances washing performance. High-strength drum structure with extraction speeds up to 850 rpm and a maximum G-force of 325.
- 7-inch touchscreen control with 30 programmable cycles, 8 automatic detergent injection ports, and customizable wash-to-pause ratio.
- Equipped with SKF bearings, German-imported metal air suspension, Delta variable frequency drive, and motor overheat protection for long-term durability.
- Supports both standard washing and professional wet cleaning for delicate fabrics. Softmount structure ensures low vibration, quiet operation, and high washing efficiency.

6-R9.



High-Speed Softmount Washer with Wet Cleaning Capability

technical specification

6-R13.6

MODEL	SW190	SW300
Rated Capacity (kg)	19	30
Drum Volume (L)	170	270
Drum Diameter (mm)	650	800
Door Opening Diameter (mm)	410	410
Drum Material	304 Stainless Steel	304 Stainless Steel
Motor Power (kW)	2.2	4
Washing Speed (rpm)	1-60	1-60
Extraction Speed (rpm)	900	850
G-Force	300	325
Control System	7" Smart Touch	7" Smart Touch
Front & Top Panels	304 Stainless Steel	304 Stainless Steel
Side Panels	201 Stainless Steel	201 Stainless Steel
Electric Heating (kW) (Optional)	12	18
Steam Inlet (in) (Optional)	1/2" NPT	1/2" NPT
Steam Pressure (bar)	1-8	1-8
Hot Water Supply (°C)	Max. 90°C	Max. 90°C
Noise Level (dB)	56	56
Water Pressure (bar)	1.4-5.7	1.4-5.7
Water Inlet (in) (Cold/Hot/Soft)	3/4"×3	3/4"×3
Drain Outlet (mm)	75	75
Net Weight (kg)	690	820
Dimensions (W×D×H) (mm)	880×1119×1375	996×1231×1600
Gross Weight (kg)	710	840
Packaging Dimensions (mm)	995×1239×1594	1111×1351×1819

Accutech